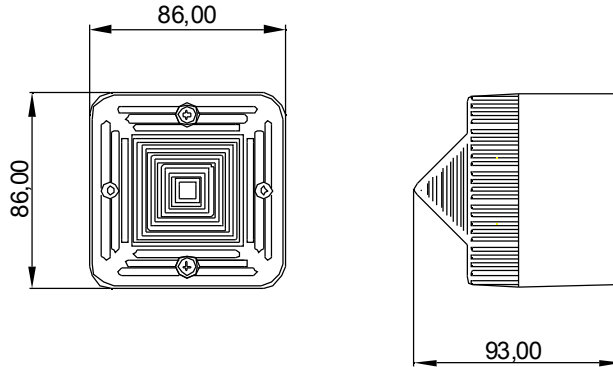


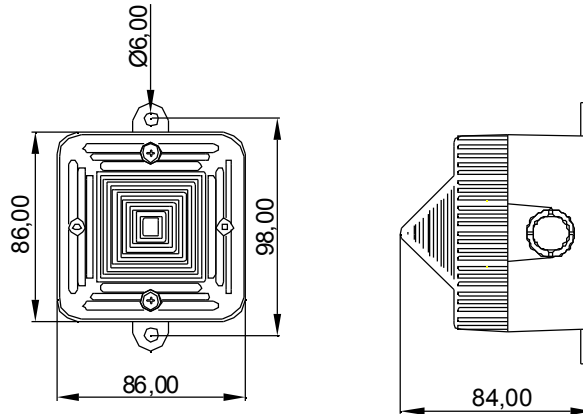
Produ_t	NUg] Ub]Y	B Ud] W]Y	CVi Xck U	?`cgn
L101	DC AC	12 24 48 115 230	R / R	RAA: ^!, [] WAA: ^!, [] GAA: ^!, [] AA: ^!, [] O Opal RAA: ^!, [] YAA: ^!, []

L101 U] &A [] cæ`:

V] A [^ cæ` ^ Asonora`
3 x [ç [] M20 QknockoutsD
U: ^ \ yæ [, ^ \ áAL101DC24SR/R



V] A [^ cæ` ^ A100`
2 x [ç [] M20 QknockoutsD
W&@ ^ c` Ano) cæ [, ^.
U: ^ \ yæ [, ^ A [áAL101DC24AR/R



V] A [^ cæ` ^ AMulti`
T æ 2 x [ç [] M20 QknockoutsD
W&@ ^ c` A [] cæ [, ^E
U: ^ \ yæ [, ^ A [áAL101DC24MR/R

