

ML25 Klasa Morska IP67 25 Wattowy Głośnik

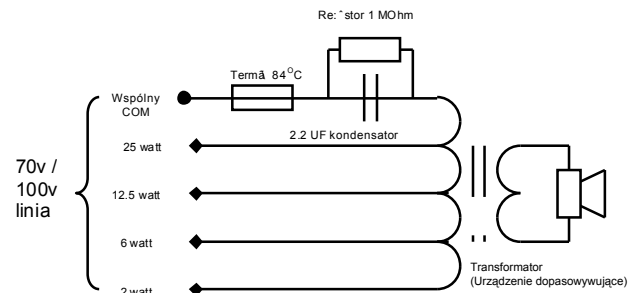
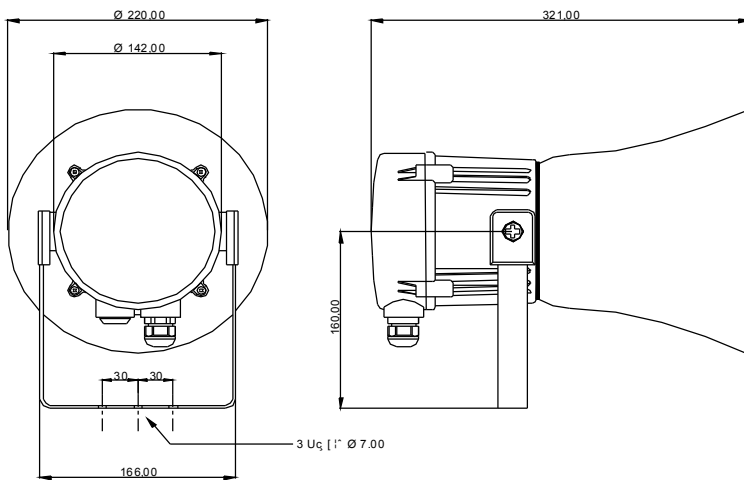


- ÜPL : 111dB +/-3dB @ 1w @ 1m - Ü: 115 dB @ 1m
211dB +/-3dB @ 15w @ 1m
- T [&A] 25 Watt RMS
- T [&A] : 25Y / 12.5Y / 6Y / 2Y (Z=196 Ohm / 392 Ohm / 816.67 Ohm / 2.45kOhm)
- T [&A] : 25Y / 12.5Y / 6Y / 2Y (Z=400 Ohm / 800 Ohm / 1.67kOhm / 5kOhm)
- Y 130° @ 1kHz & 30° @ 4kHz
- Z 300Hz to 8000Hz
- T [] : 2.2µF S [] 470µF S []
- V 130° @ 1kHz & 30° @ 4kHz
- Z 300Hz to 8000Hz
- Y 130° @ 1kHz & 30° @ 4kHz
- Z 300Hz to 8000Hz
- Y 130° @ 1kHz & 30° @ 4kHz
- Z 300Hz to 8000Hz



Y d: 115 dB @ 1m / 211 dB @ 15w @ 1m

- Ü 115 dB @ 1m / 211 dB @ 15w @ 1m
- T [&A] 25 Watt RMS
- T [&A] : 25Y / 12.5Y / 6Y / 2Y (Z=196 Ohm / 392 Ohm / 816.67 Ohm / 2.45kOhm)
- T [&A] : 25Y / 12.5Y / 6Y / 2Y (Z=400 Ohm / 800 Ohm / 1.67kOhm / 5kOhm)
- Y 130° @ 1kHz & 30° @ 4kHz
- Z 300Hz to 8000Hz
- T [] : 2.2µF S [] 470µF S []
- V 130° @ 1kHz & 30° @ 4kHz
- Z 300Hz to 8000Hz
- Y 130° @ 1kHz & 30° @ 4kHz
- Z 300Hz to 8000Hz



ML25 8 & 16 Ohm b[lg_c] ja dYXUbWrbY:

Y ^b & a : 8 Ohm o: 25Watt Volts : 14.14V

Y ^b & a : 16 Ohm o: 25Watt Volts : 20.00V

Y : 115 dB @ 1m / 211 dB @ 15w @ 1m

Ü5, } a [c] ^:

- MCA112-05
- ML15 15Y
- MA112 & MA121
- MB005 & MB010
- MV112



European Safety Systems Ltd
Impress House
Mansell Road
London, U.K. W3 7QH

Tel : +44 (0) 20 8743 8880
Fax : +44 (0) 20 8740 4200
mail : sales@e2s.com
web : www.e2s.com

Sealab Sp. z o.o.
ul. Koperkowa 57
81-589 Gdynia, Poland

Tel : +48 58 669 20 40
Fax : +48 58 669 20 49
mail : sealab@sealab.pl
www : www.sealab.pl



